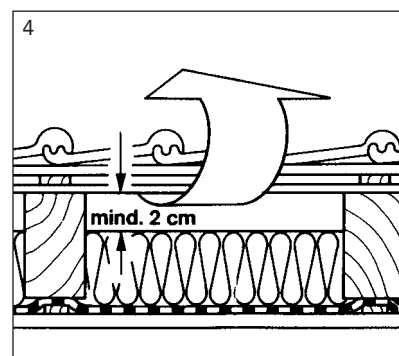
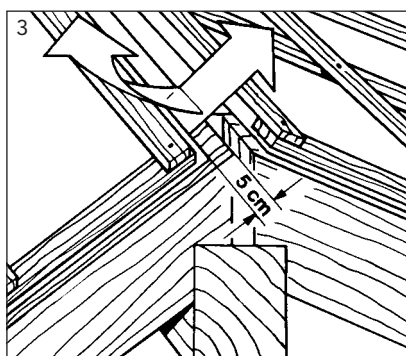
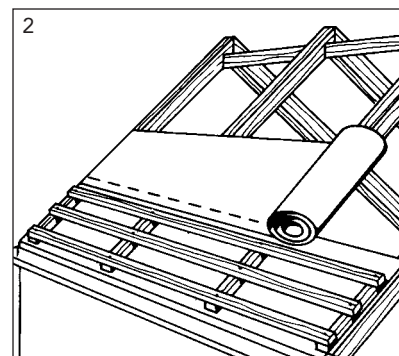
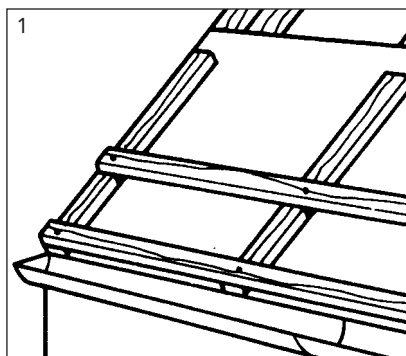


DRAGOFOL

Installation Instructions

- 1. DRAGOFOL is fixed in place by nailing the battens and counter battens onto the rafters.
- 2. The individual sheets should overlap by 10 to 15 cm. If the pitch of the roof is less than 22°, the individual sheets should overlap by at least 20 cm. The black marker threads should run parallel to the edge at a distance of approx. 12 cm.
- 3. The membrane should be laid at least 5 cm away from the ridge of the roof. This ensures optimum ventilation.
- 4. When fitting the thermal insulation material, you should keep a ventilated gap of at least 2 cm.

You will find detailed installation instructions for DRAGOFOL on the internet at www.doerken.de in the form of a PDF file for you to print out and save.



■ Reinforced roofing underlay

■ For all back-ventilated roofs

■ New construction refurbishment

Fax: +49 23 30/63-355

Dörken GmbH & Co. KG
Wetterstraße 58
D-58313 Herdecke

Request for tender DRAGOFOL

Item No.	Qty.	Specifications	Price/unit	Price total
1 m ²	DRAGOFOL mesh-reinforced polyethylene film, microperforated (manufacturer: Dörken GmbH & Co. KG, D-58311 Herdecke) – to be supplied and properly laid in accordance with standard roofing procedures and manufacture's specifications. Fire resistance Class E (EN 13501-1) B 1 rating (DIN 4102) Tensile strength approx. 400/300 N/5 cm (EN 12311-1) S _d value approx. 3 m Weight approx. 140 g/m ²		
2 /m	DELTA®-MULTI-BAND – supply and stick for working with DRAGOFOL.		
3 /m	DELTA®-BUTYL-BAND – supply and stick for working with DRAGOFOL.		
4 /m	DRAGOFOL – stick with DELTA®-THAN adhesive. Comes in a cartridge.		